

**Application**

Designed to withstand high pressure and high temperature washdown procedures with direct and indirect food contact applications within the Food & Beverage industry. Enclosure is designed with internal swing-out hinges to reduce bacteria catch points and helps to maximize back panel space. Includes dual gasket design that ensures it performs in extreme applications. Inner pour in place oil & water-resistant gasket with an easily replaceable outer gasket - FDA-grade silicone gasket that helps resist bacteria growth and chemical absorption.

**Construction**

- 0.075" stainless steel Type 304
- Seams continuously welded and ground smooth
- 15 degree sloped top
- Internal swing-out hinges
- Doors open 110 degree
- Stainless sanitary quarter turn latches with FDA - Grade silicone gasket
- Pour in place oil & water resistant inner gasket
- FDA - Grade silicone outer gasket
- Provision for mounting optional panels
- Mounting holes in back of enclosure for optional mounting stand-off or mounting options
- Ground stud on door & body
- DIN 40050-9, IP69K
- ANSI 3A 00-01 Sanitary Standard for General Requirements
- NSF 169 Special Purpose Food Equipment and Devices

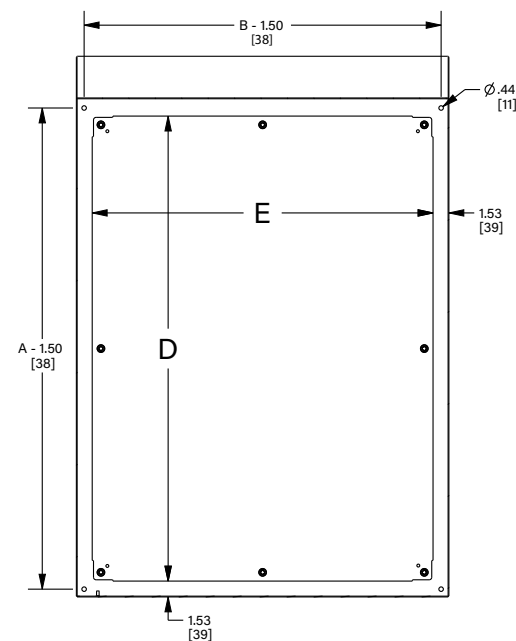
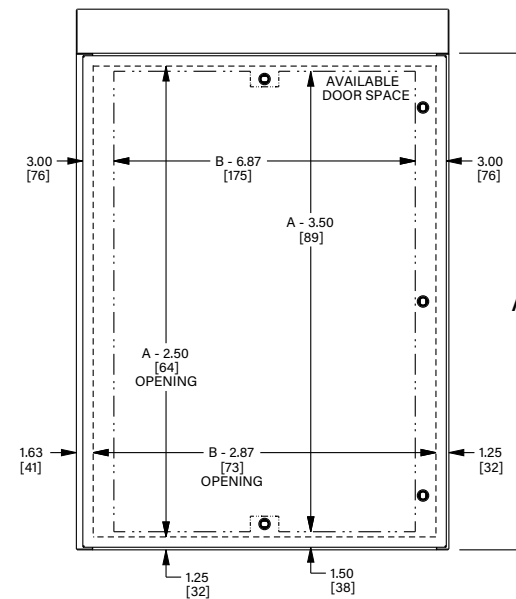
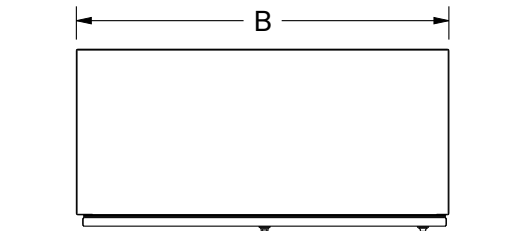
**Finish**

# 4 Brushed finish 25-35 RA suitable for medical and food industry.

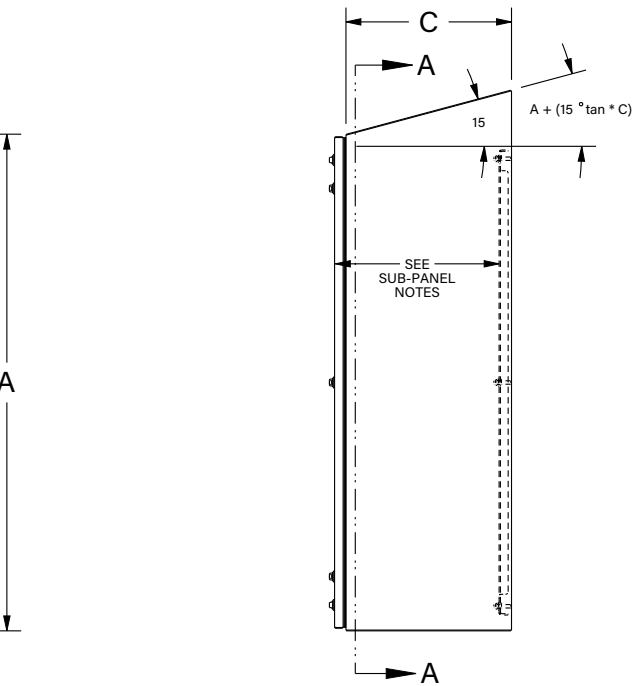
**IS25 Industry Standards**

NEMA Type 3R, 4, 4X, 12 & Type 13  
UL Listed Type 3R, 4, 4X & 12  
CSA Type 4, 4X & 12  
IEC 60529 IP69

Catalog No.	Height (A)	Width (B)	Depth (C)	Industry Standard	Catalog No.	Panel Height (D)	Panel Width (E)
<a href="#">SCE-16K1208SSST</a>	16.00	12.00	8.00	IS8	SCE-16P12	13.00	9.00
<a href="#">SCE-16K1608SSST</a>	16.00	16.00	8.00	IS8	SCE-16P16	13.00	13.00
<a href="#">SCE-20K1608SSST</a>	20.00	16.00	8.00	IS8	SCE-20P16	17.00	13.00
<a href="#">SCE-20K2008SSST</a>	20.00	20.00	8.00	IS8	SCE-20P20	17.00	17.00
<a href="#">SCE-20K2010SSST</a>	20.00	20.00	10.00	IS8	SCE-20P20	17.00	17.00
<a href="#">SCE-24K2008SSST</a>	24.00	20.00	8.00	IS8	SCE-24P20	21.00	17.00
<a href="#">SCE-24K2010SSST</a>	24.00	20.00	10.00	IS8	SCE-24P20	21.00	17.00
<a href="#">SCE-24K2012SSST</a>	24.00	20.00	12.00	IS8	SCE-24P20	21.00	17.00
<a href="#">SCE-24K2408SSST</a>	24.00	24.00	8.00	IS8	SCE-24P24	21.00	21.00
<a href="#">SCE-24K2410SSST</a>	24.00	24.00	10.00	IS8	SCE-24P24	21.00	21.00
<a href="#">SCE-24K2412SSST</a>	24.00	24.00	12.00	IS8	SCE-24P24	21.00	21.00
<a href="#">SCE-30K2408SSST</a>	30.00	24.00	8.00	IS8	SCE-30P24	27.00	21.00
<a href="#">SCE-30K2412SSST</a>	30.00	24.00	12.00	IS8	SCE-30P24	27.00	21.00
<a href="#">SCE-30K3012SSST</a>	30.00	30.00	12.00	IS8	SCE-30P30	27.00	27.00
<a href="#">SCE-36K2412SSST</a>	36.00	24.00	12.00	IS8	SCE-36P24	33.00	21.00
<a href="#">SCE-36K3012SSST</a>	36.00	30.00	12.00	IS8	SCE-36P30	33.00	33.00
<a href="#">SCE-36K3016SSST</a>	36.00	30.00	16.00	IS8	SCE-36P30	33.00	33.00
<a href="#">SCE-42K3612SSST</a>	42.00	36.00	12.00	IS8	SCE-42P36	39.00	33.00
<a href="#">SCE-42K3616SSST</a>	42.00	36.00	16.00	IS8	SCE-42P36	39.00	33.00
<a href="#">SCE-48K3612SSST</a>	48.00	36.00	12.00	IS8	SCE-48P36	45.00	33.00
<a href="#">SCE-48K3616SSST</a>	48.00	36.00	16.00	IS8	SCE-48P36	45.00	33.00



SECTION A-A



**SUB-PANEL NOTES:**  
Dimensions are from the inside of the door.  
C + 0.32 [8] for flat sub-panels.  
C - 0.18 [5] for bent sub-panels.

**LATCH NOTES:**  
Enclosures ≤ 16.00" [406] in height require only one latch centered on door.  
Enclosures > 16.00" [406] and < 40.00" [1016] in height require two latches on door.  
Enclosures ≥ 40.00" [1016] and ≤ 48.00" [1219] in height require three latches on door.  
Enclosures > 48.00" [1219] in height require four latches on door.  
Omit center latch top and bottom of door when door width is < 30.00" [762]